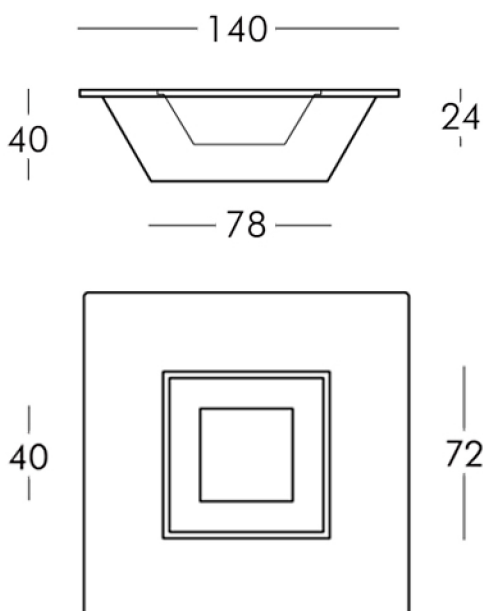




PRODUCT STORY

Bench Pot is an ideal solution to furnish contemporary public areas and contract outdoor. The big pot is a versatile design item which doubles up as a comfortable bench seat.

Available in an array of colours with an illuminated version to accompany



OPTIONS

Standard module size as shown in specification sheet

DIMENSIONS

Height: 40
Width: 80
Depth: 80

WARRANTY

2 Years commercial warranty

FABRICATION

Polyethylene rotor moulded

DESIGNER

Gio Colonna Romano

LEG STYLES

FAMILY
BENCH POT



Bench Pot

| | |
|--------|----|
| | CM |
| WIDE | 80 |
| DEPTH | 80 |
| HEIGHT | 40 |